

Installation and operation manual

Drying cabinet FC 20

Contents

Safety regulations	5
Specification	6
Dimensions	6
Technical information	6
Assembly instructions	7
Installation of the cabinet	18
Step 1: Put the cabinet in place	18
Step 2: Fasten the cabinet to the wall	18
Step 3: Connect the cabinet to the ventilation channel	18
Step 4: Connect the drying cabinet to the main switch	18
Step 5: Control that the heating relay is working	18
Requirements for ventilation	19
Ventilation channel – choice of material	19
Requirements for incoming air	19
Ventilation channel – design	19
Evacuated amount of air and pressure fall	20
User manual	21
Automatic programs	21
Select drying time manually	21
Maintenance	22
Take good care of the cabinet	22
Ventilation system	22
Keep your cabinet efficient and economical	22
Notes	23

Thank you for choosing the drying cabinet FC 20 from PODAB. We hope that it will be of great use for you and ask you kindly to read the instructions carefully.

IMPORTANT!

FOR YOUR SAFETY, the information in this manual must be followed to prevent property damage and personal injury.

NOTE: The paragraphs marked "WARNING" and "CAUTION" appearing in this manual are not meant to cover all possible conditions and situations that may occur. It is very important that water and electricity are handled with great care and respect, by both installation technicians and end users.

Safety regulations

Throughout this manual you will find text warnings in text boxes: “WARNING” and “CAUTION”. In these boxes you’ll find the safety measurements you’ll have to take; end user, service staff or installation staff.

CAUTION

Indicates hazardous situation that, if not avoided, could cause minor personal injury or property damage.

WARNING

Indicates hazardous situation that, if not avoided, could cause severe personal injury.

You will also find precautions marked: IMPORTANT and NOTE. These are followed by information of what should be considered.

IMPORTANT: to inform the reader of special steps that must be taken in order to prevent injuries on the cabinet.

NOTE: to inform what is important to know, but it cannot cause personal injuries or injury on the cabinet.

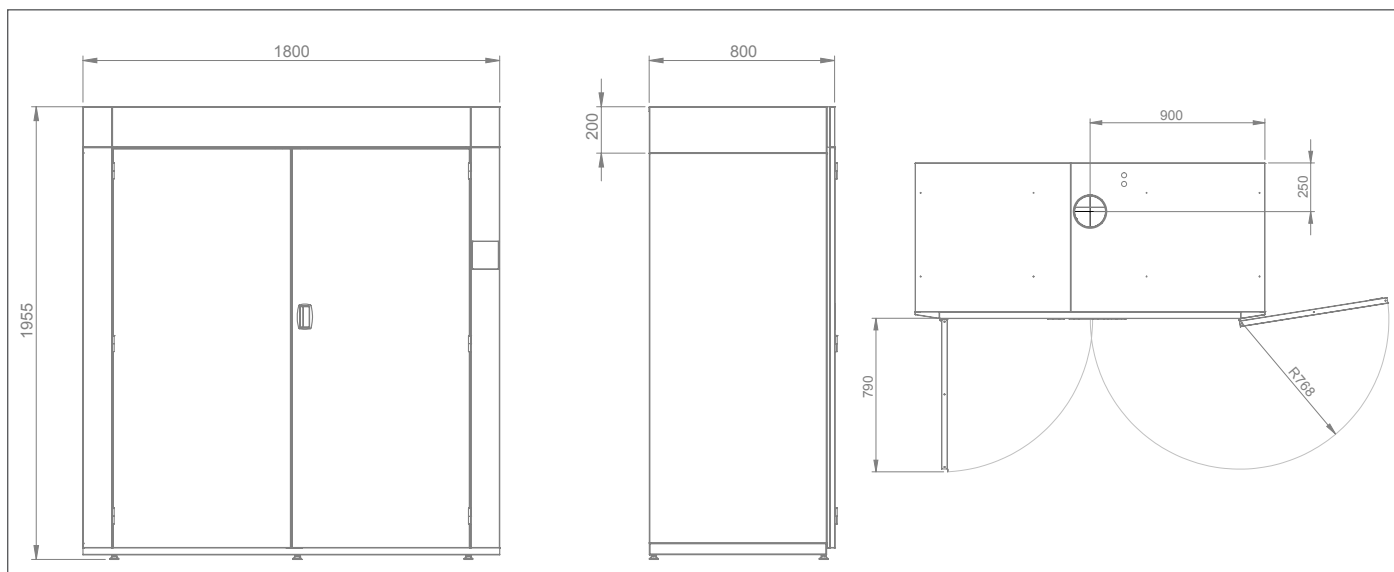
WARNING

To minimize the risk of fire, electrical shock, personal injuries or death when the cabinet is in use the following precautions must be followed:

1. Read the instruction before using the drying cabinet.
2. Follow the installation instructions for proper grounding.
3. Never dry textiles that have been washed, dipped or exposed to fire dangerous substances or fluids.
4. Never add fire dangerous or explosives substances to the cabinet.
5. The cabinet is not a toy. Look after children who are around the cabinet.
6. Never connect the cabinet with an extension cable.
7. Only use the cabinet for what it is designed for: drying clothes.
8. Always turn off the main switch before performing any service on the cabinet. Only authorized service technicians should perform service.
9. Always follow the installation manual. The electrical connections must be installed by authorized personnel.
10. Keep after the cabinet. If it is exposed to violence there is a risk that certain security functions will stop working. Please contact your nearest service partner if you are unsure of the cabinet’s status.
11. If the electrical cable is damaged, it must immediately be changed by a person with electrical authorization.
12. The doors shall always be shut when the cabinet is in use. Do not try to manipulate the lock of the doors. It can lead to personal injuries. If the cabinet does not stop when the doors are opened during the drying phase, call for service. The cabinet shall not be used if the drying program is active when the doors are open!
13. Look after the area around the evacuating pipe so it is clean from dust and dirt.
14. To get the best drying result, follow the garments washing and drying advice.
15. Never use the cabinet if any panel is broken or removed.
16. Never use the cabinet if any parts are broken or if the inside is broken.
17. Never try to manipulate or connect past any safety functions.
18. If the cabinet is not assembled after the manufacturer’s instructions, there is a risk that the cabinet can cause personal injuries or injuries on property.

Specification

Dimensions



Technical information

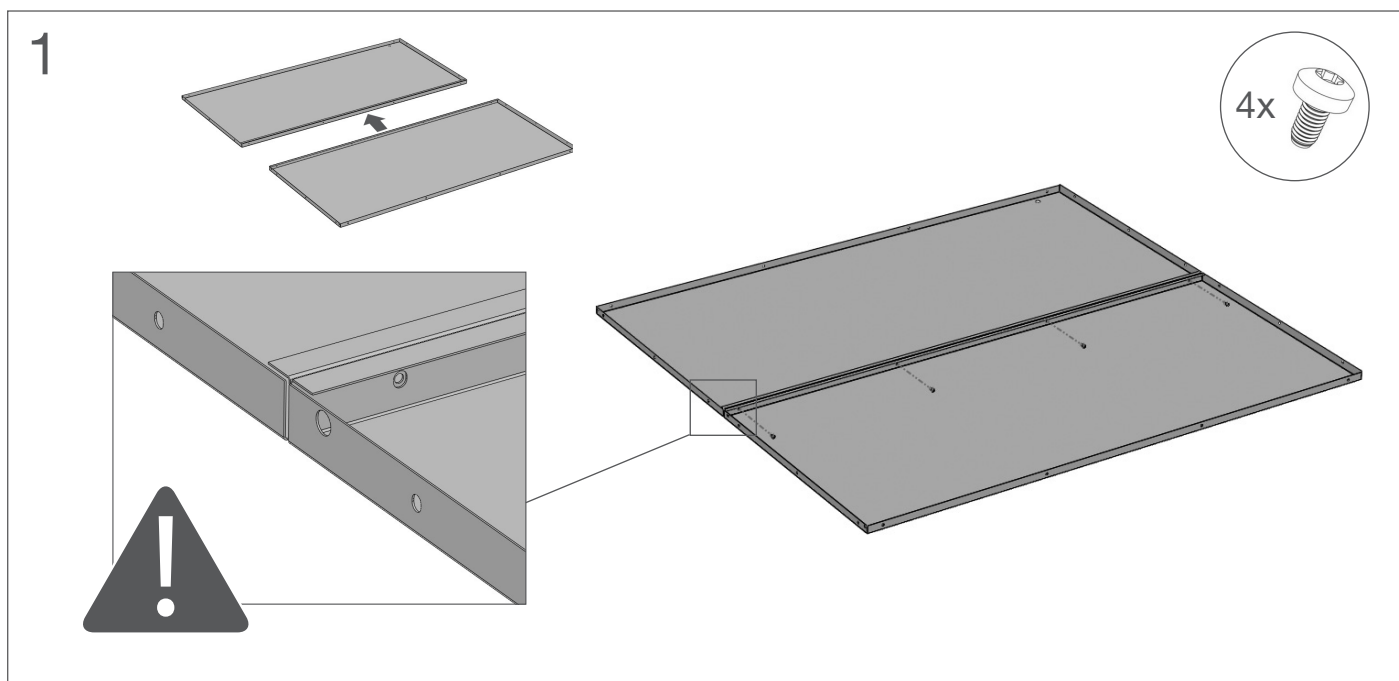
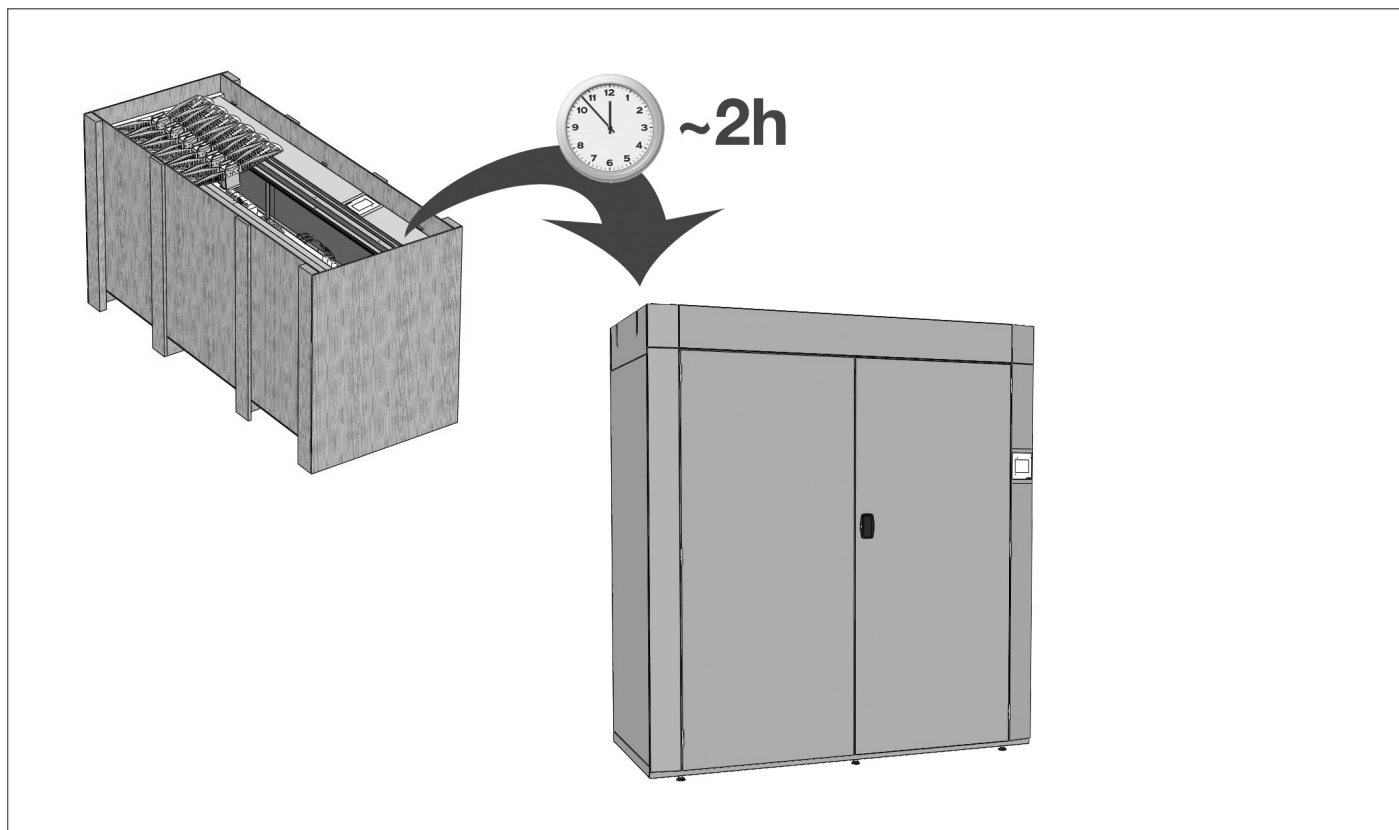
Loading capacity, number of suits	6	
Evacuated air, max, m ³ /h	600	
Heating effect, kW	12,0	
Total effect, kW	12,45	
	Membrane	Cotton wool
Drying capacity, g/min *	55	45
Drying time, min *	175	65
Energy consumption, kWh/kg	0,98	0,34
Part No	131035	
*Drying of 20 kg fire suits (dry weight) washed and high-spinned to 50 % residual moisture for membrane suits and 15 % for cotton wool suits. Dried to 0 % residual moisture.		

Assembly instructions

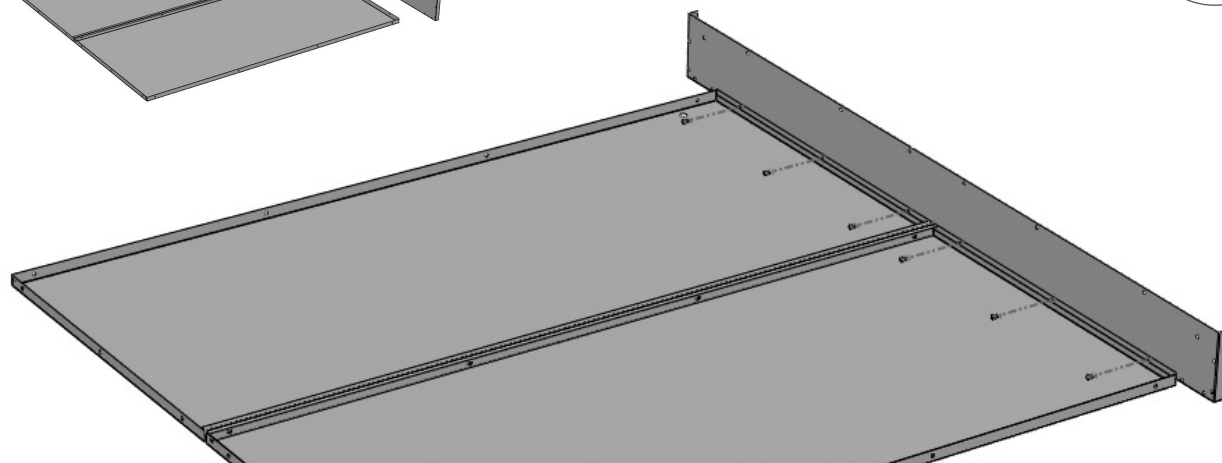
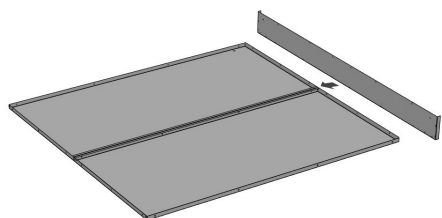
Tools

You need the following tools to easily install the drying cabinet, FC 20:

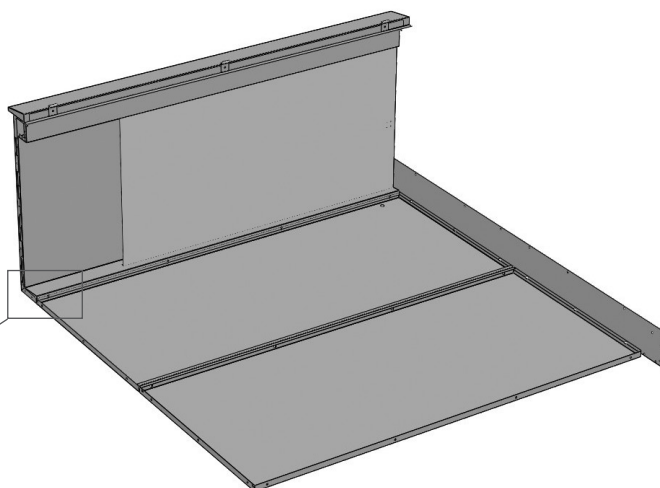
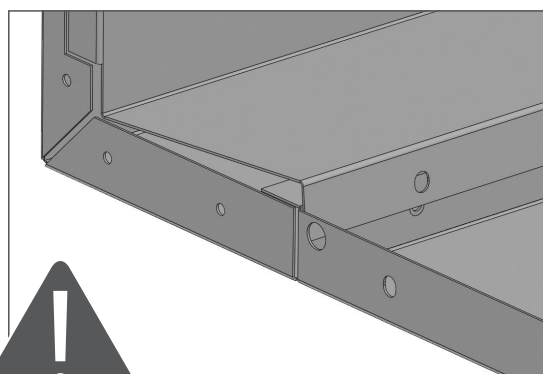
- Cordless screwdriver
- Wrench
- Hex key 3 and 5 mm
- Level
- Torx screwdriver bit no. 25



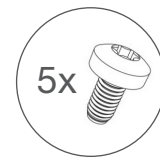
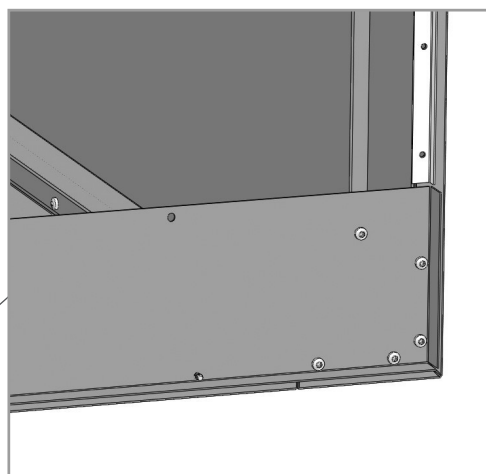
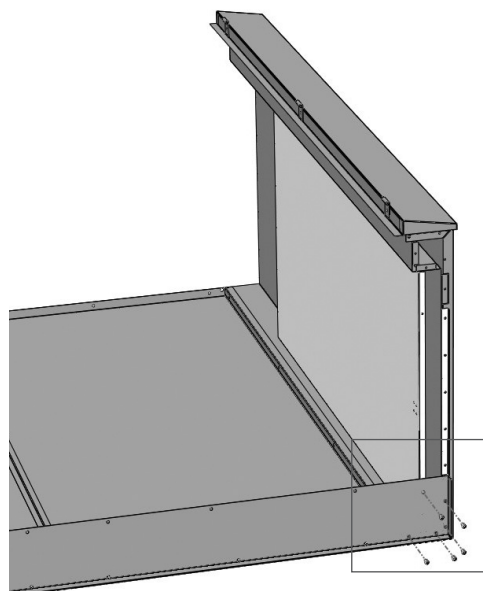
2



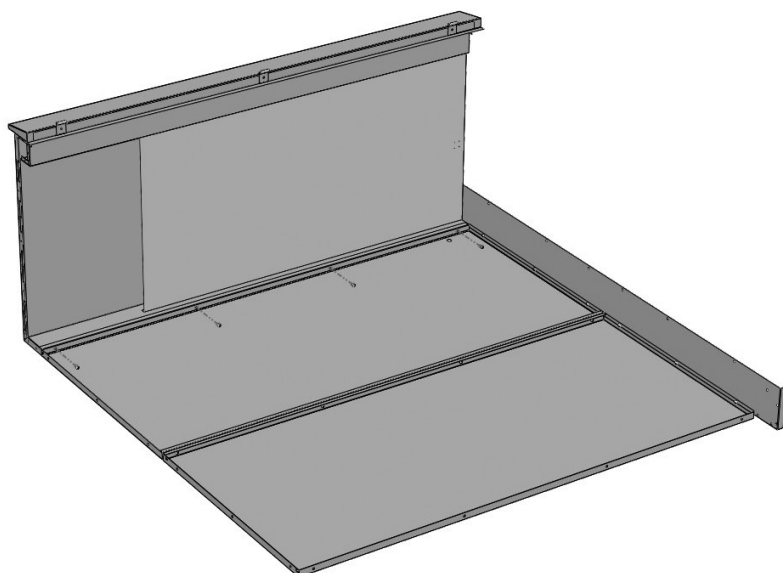
3



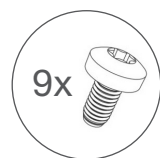
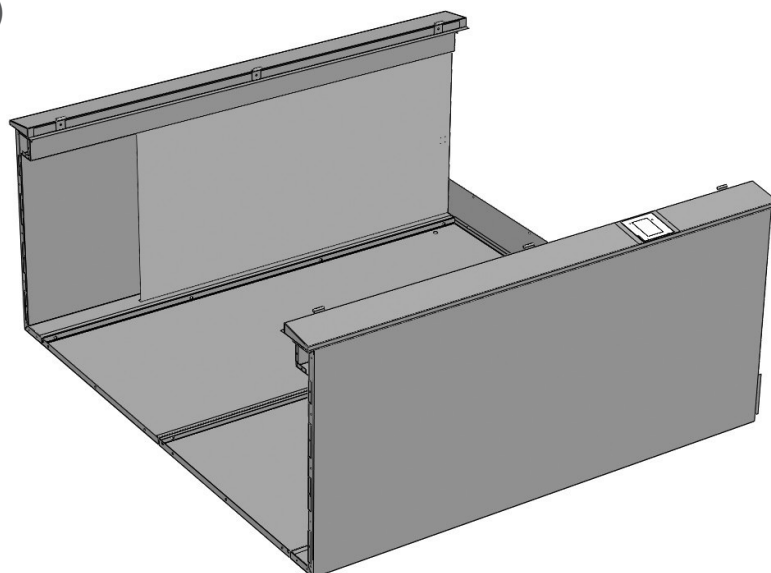
4



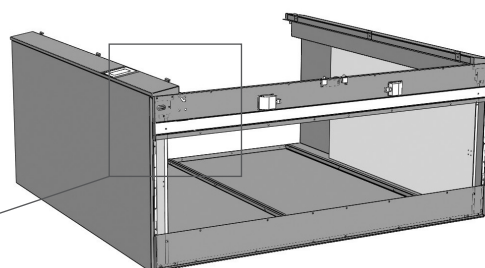
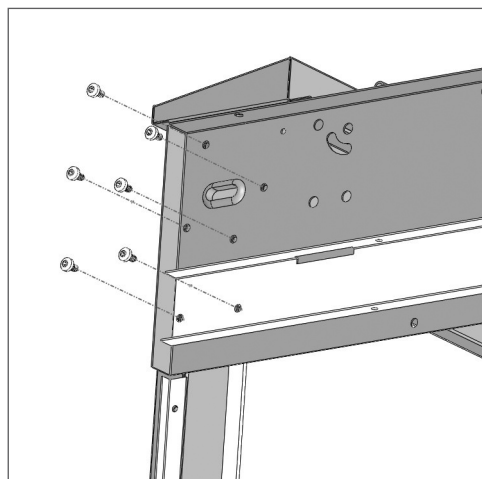
5



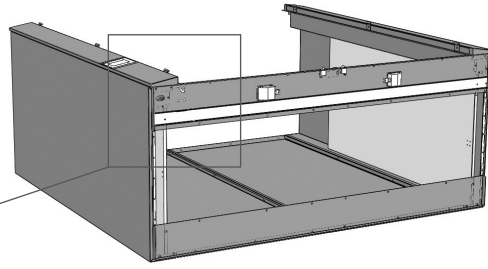
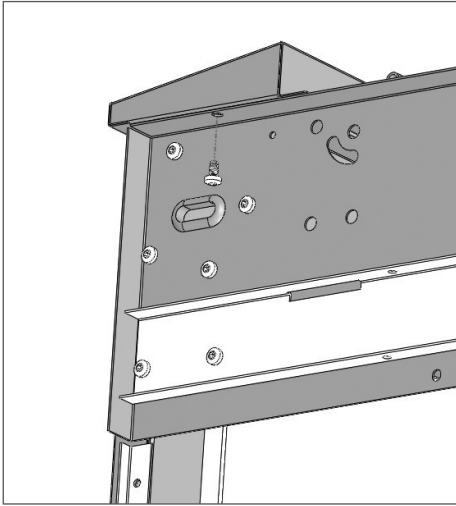
6 (repeat step 3-5)



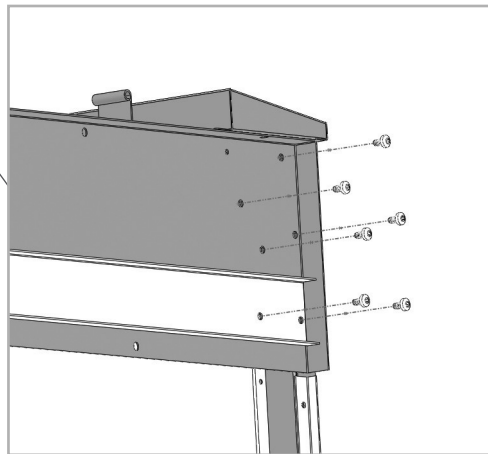
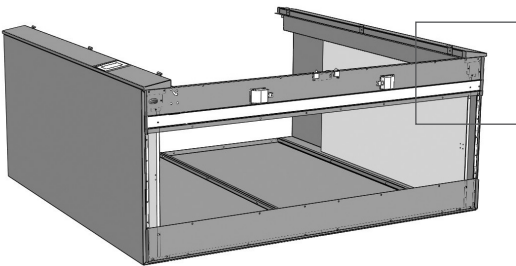
7



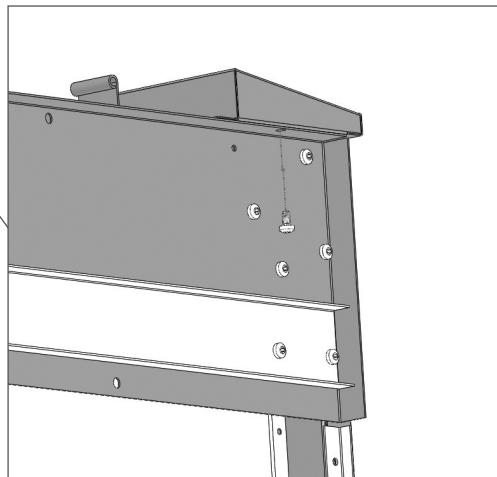
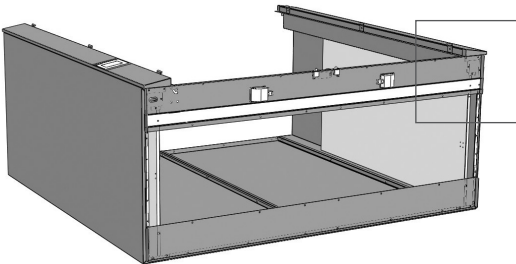
8



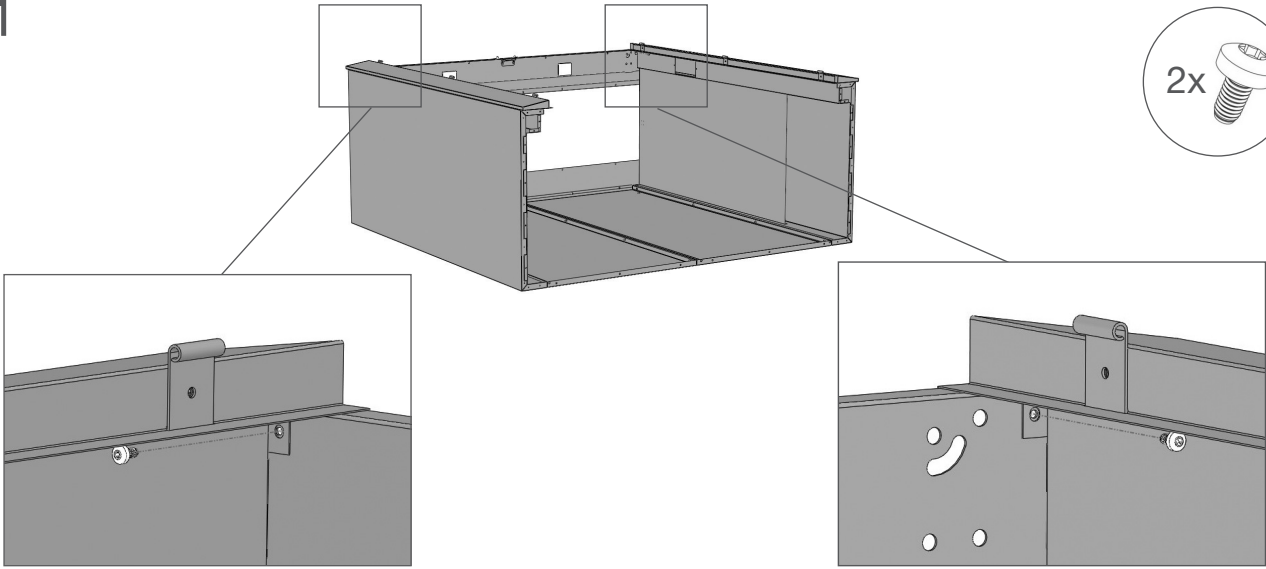
9



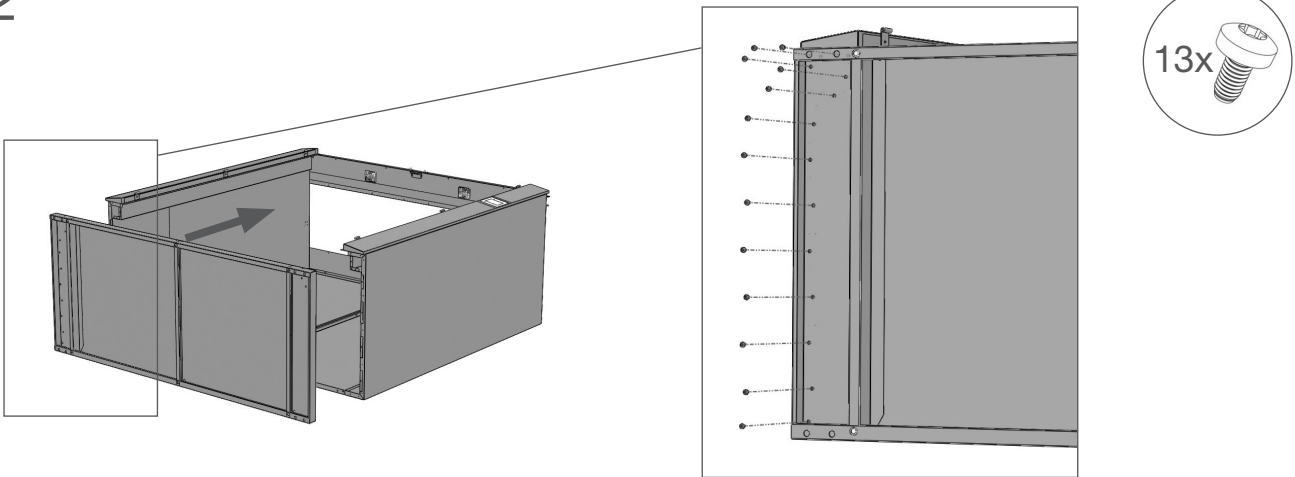
10



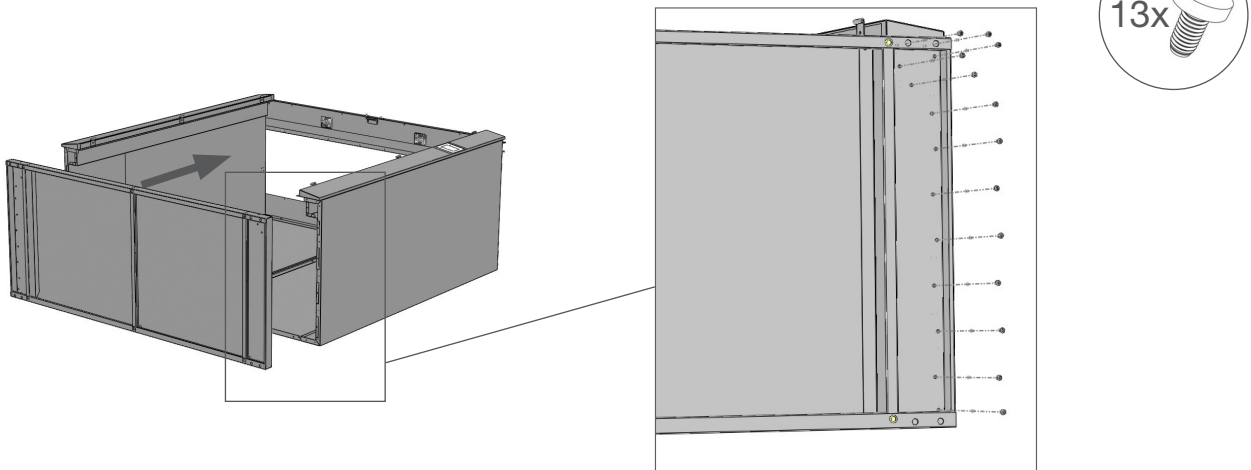
11



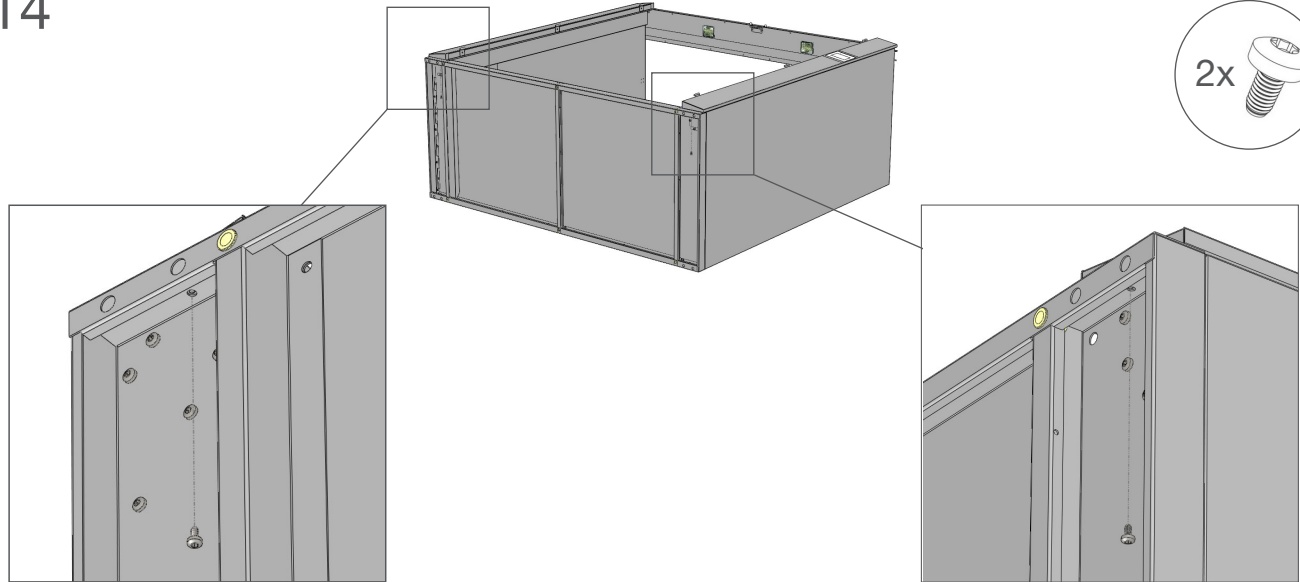
12



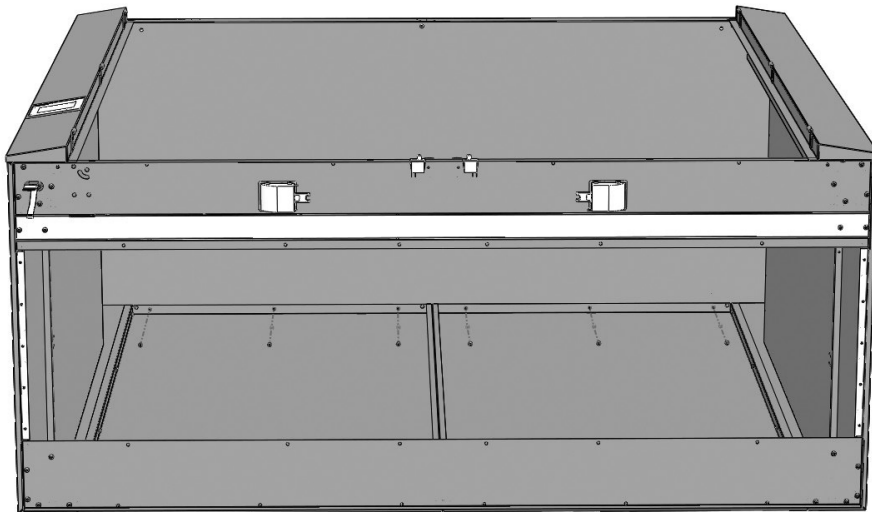
13



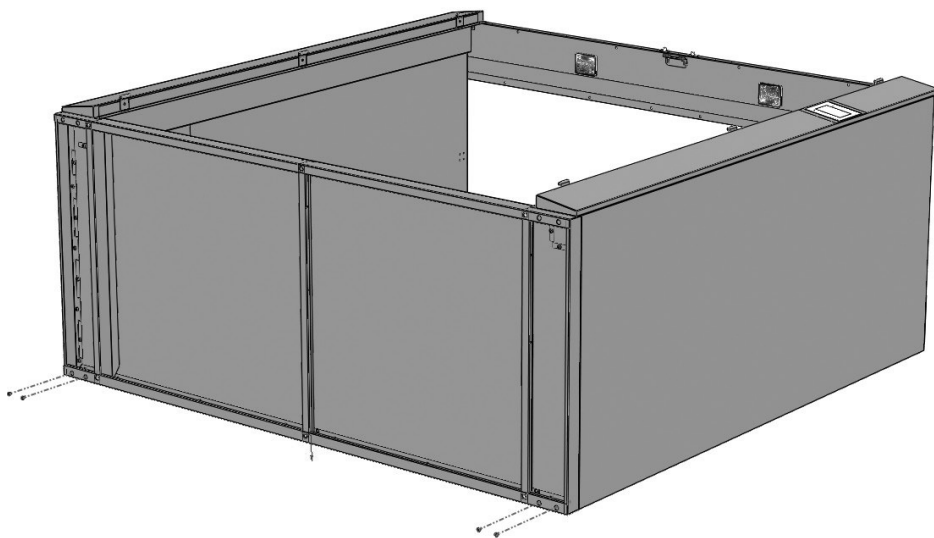
14



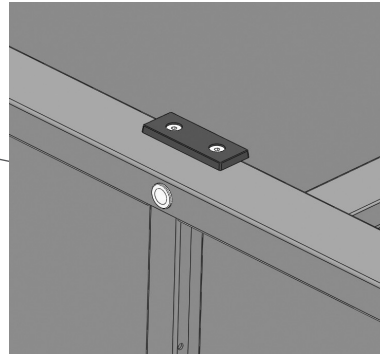
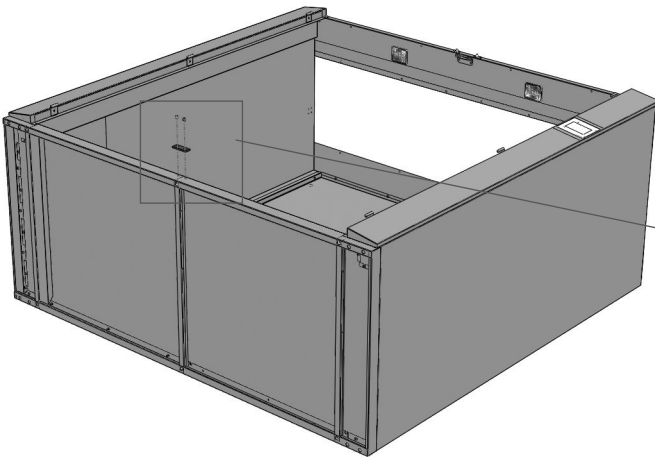
15



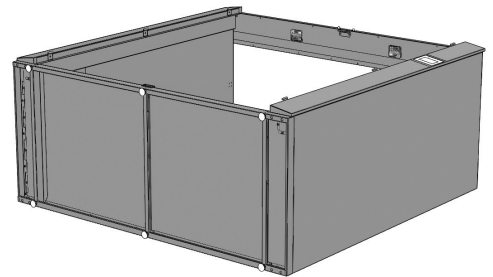
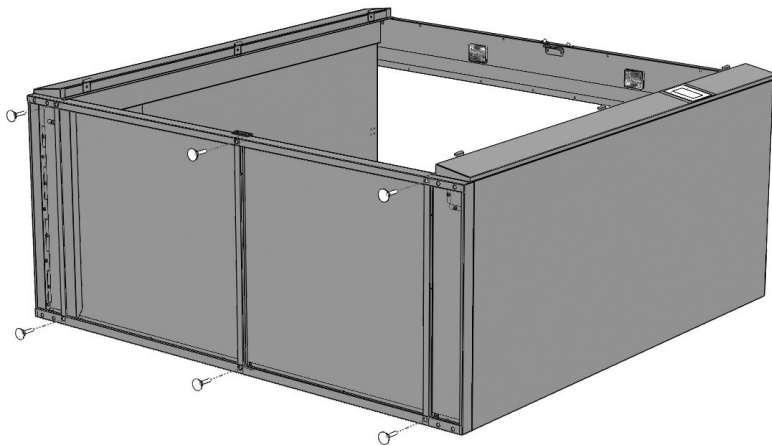
16



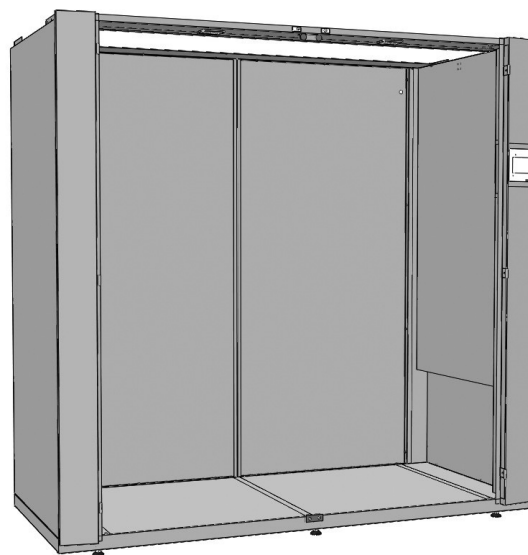
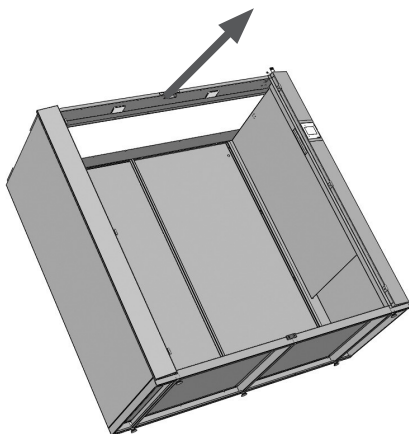
17



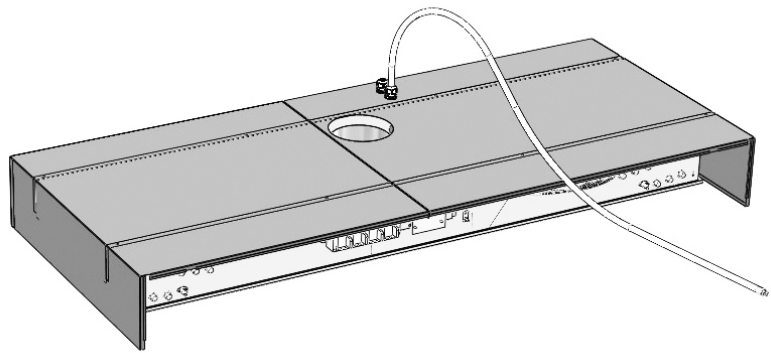
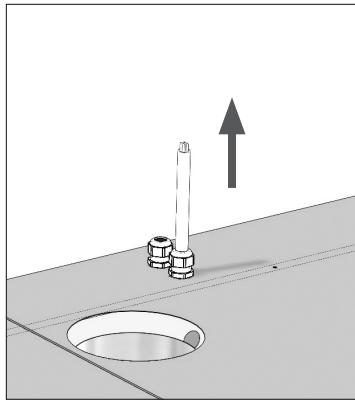
18



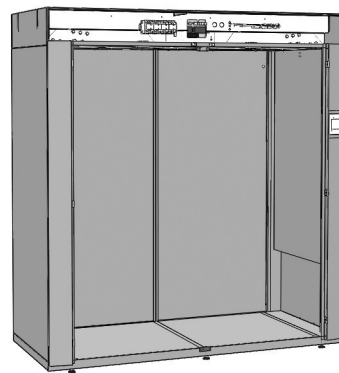
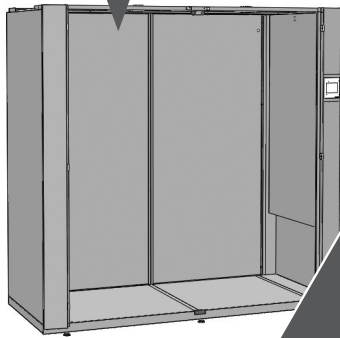
19



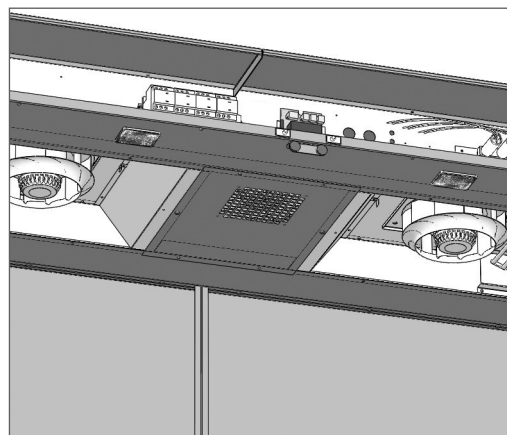
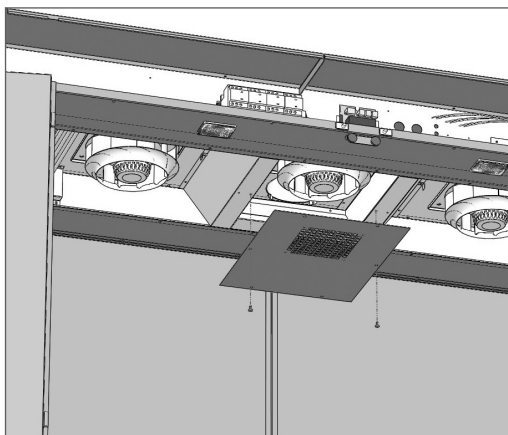
20



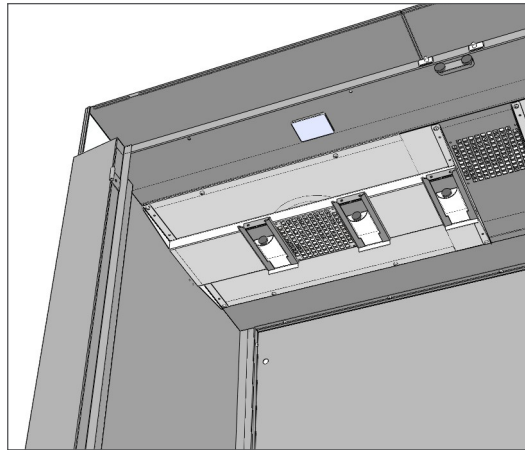
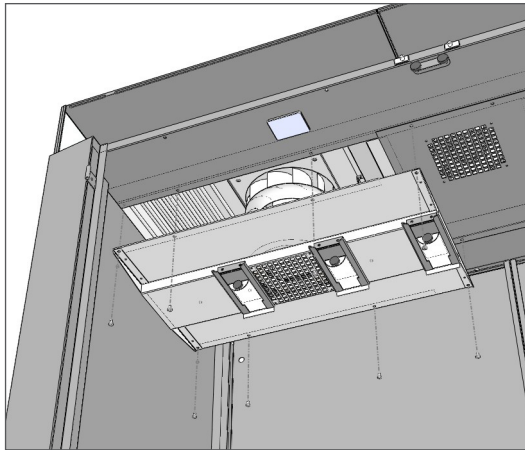
21



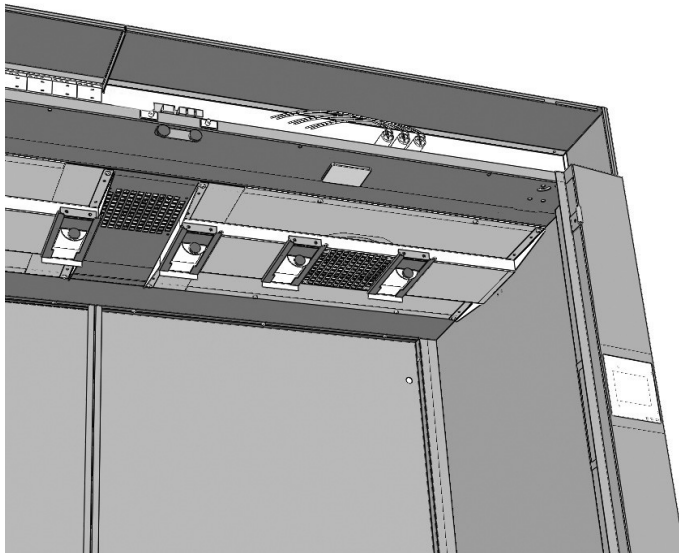
22



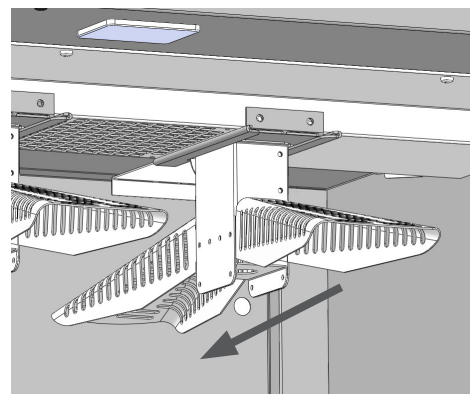
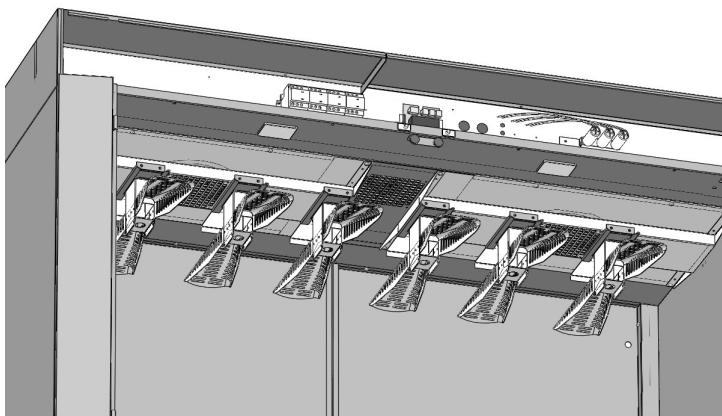
23



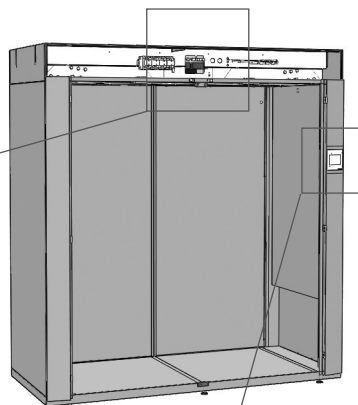
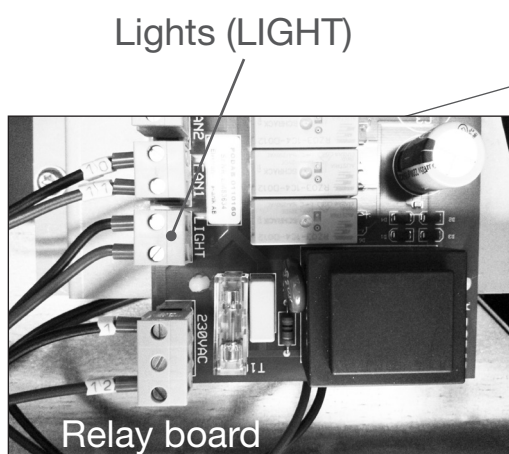
24



25



26 Connect the cables

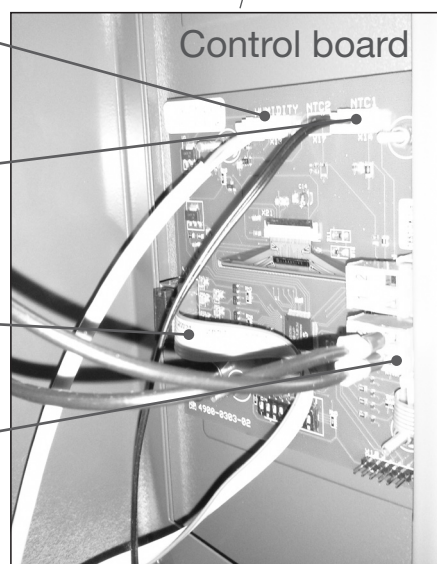


Humidity sensor (HUMIDITY)

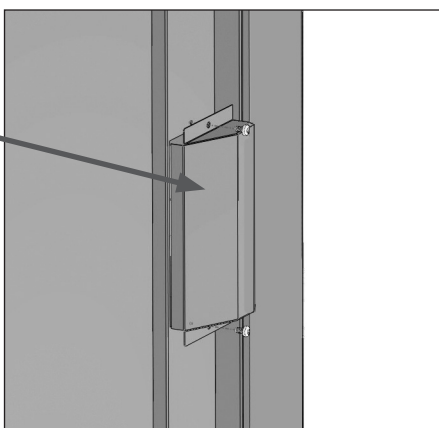
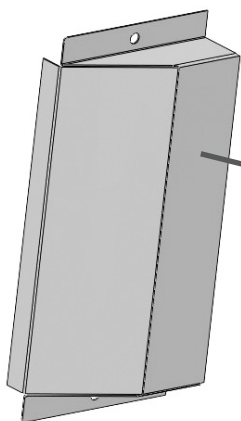
Temp sensor (NTC1)

Relay board (X11)

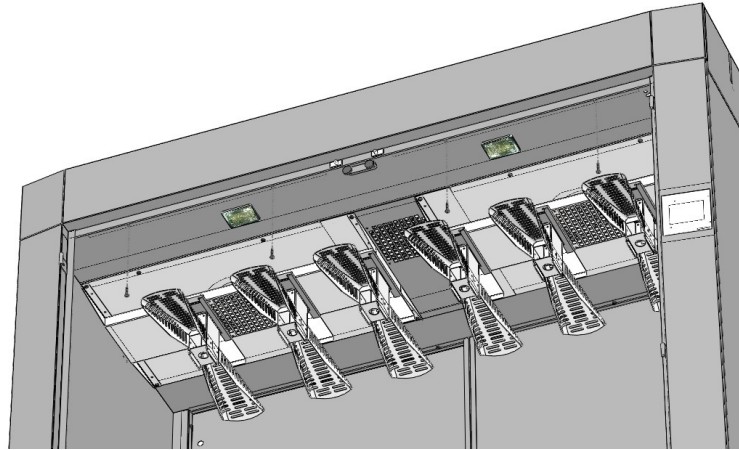
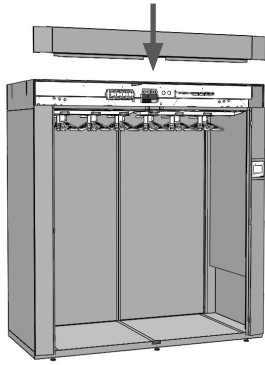
Door switch (DOOR)



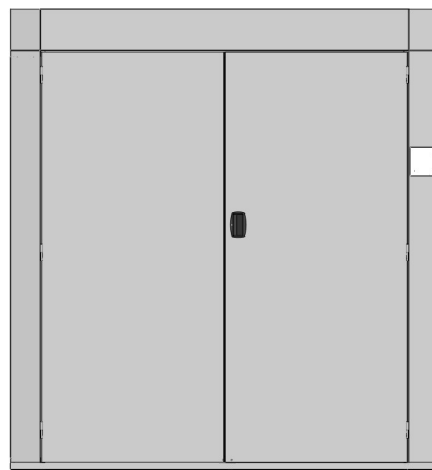
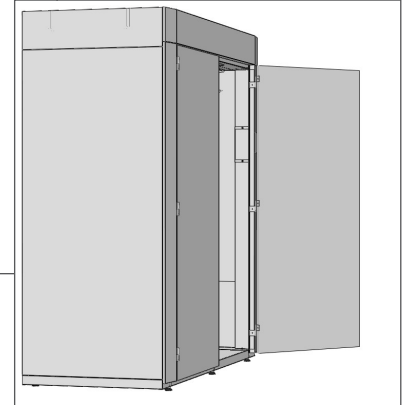
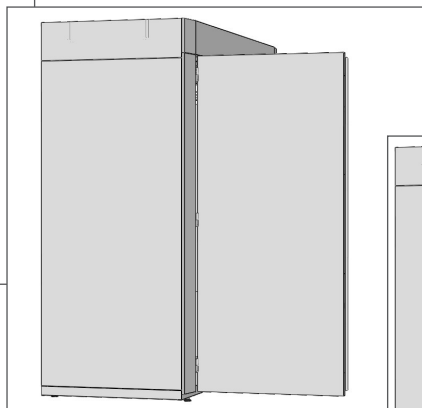
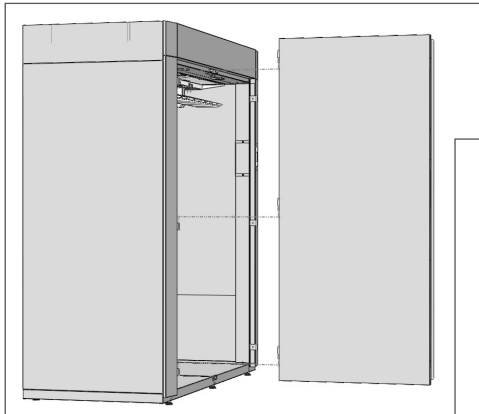
27



28



29



Installation of the cabinet

Step 1: Put the cabinet in place

Place the cabinet with enough space in front of the cabinet and on the sides to be able to open the doors.

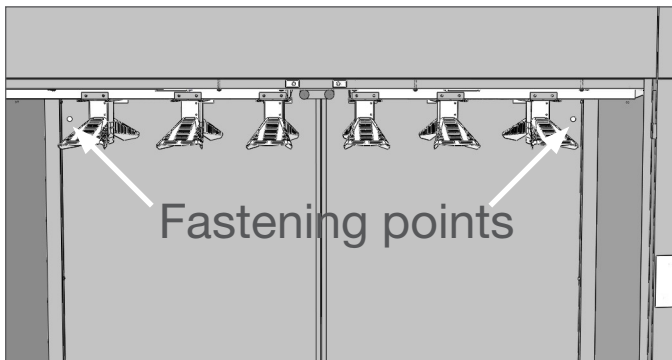
The feet of the cabinet can be adjusted from the inside with the help of a Hex key. The feet must stand free on the floor and have an even weight distribution. Use a leveler and control that the cabinet is leveled; horizontally and vertically.

NOTE: We recommend that the cabinet is installed on a firm and leveled floor.

Step 2: Fasten the cabinet to the wall

Use the stoppers, screws and washers to secure the cabinet through the back plates. (See picture.)

NOTE: Please control that the cabinet is leveled and cannot be tilted.



ATTENTION

Never place the cabinet in direct contact with wooden material. Always use the stoppers to prevent the cabinet from direct contact to a wooden wall. Leave a security distance of at least 30 mm.

Step 3: Connect the cabinet to the ventilation channel

For further instructions, see page 19: Requirements for ventilation.

- Do not use ventilation channels made of plastic or foil.
- Place the cabinet so that the ventilation channel is as short as possible.
- Make sure that the ventilation channel is cleaned when a new cabinet is installed.
- Use a 160 mm rigid or flexible metal duct to the evacuation connection.
- If you use rigid ducts, it is important that the male connector of the ventilation tube on each section follows the air direction.
- The construction shall be as straight as possible.
- Always isolate ducts that go through non-isolated areas. The condensation makes dust and dirt get stuck in the channel.

NOTE: If the cabinet is not connected according to these recommendations, the warranty is no longer valid.

Step 4: Connect the drying cabinet to the main switch

NOTE: Only an authorized electrician is allowed to install the electrical connection.

The cabinet is prepared for electrical connections: 400 V, 3-N, 50 Hz.

WARNING

To prevent that fire and electric shock appear, the cabinet **MUST** be connected according to the color codes on the cables.

It is always the buyer that has the responsibility to check that an authorized electrician makes the electrical connections of the cabinet.

WARNING

To prevent personal injuries, the cabinet shall always be connected permanently through an all pole main switch. Always ground the cabinet!

Also check that the connecting cable has a strain relief bushing. If not, there is a risk that the cabinet will be live.

Step 5: Control that the heating relay is working

Shut the doors and start the cabinet, after about 3 seconds you can hear when the heat relays hit. Wait a couple of minutes and control that the outgoing air channel becomes warm.

If the outgoing air channel does not get warm, go back to step 4 and control that the electrical connection is installed correctly.

Requirements for ventilation

WARNING

A drying cabinet produces inflammable dust. To minimize the risk for fire, the evacuation of the cabinet must be connected to a ventilation channel that evacuates the air.

Never let the evacuated air into a room or a surrounding where there is a risk for ignition.

Do not use ventilation channels in plastic or fire dangerous material.

Ventilation channel – choice of material

Ventilation channel, ducts, connections etc are not included.

The ventilation channels shall be at least 160 mm in diameter and should not have channels or similar on the inside.

We recommend that the ventilation system is built with rigid metal ducts for best result. Flexible evacuating ducts for drying cabinets can also be used.

NOTE: Never use flexible ducts through walls or other covered areas.

NOTE: Do not screw or nit the ventilation channel, so that the screws will come through the inside of the pipe. This construction will gather dust and impair the cabinet's performance.

The channel shall always be separated from the other ventilation in the house.

Requirements for incoming air

In order to make the cabinet work properly, it is very important that there is enough incoming air in the room. The incoming air must be at least 400 m³/hour.

If the cabinet is placed in a room where the incoming air is not enough, we recommend that you install an air exchanger. Contact PODAB for more information.

Ventilation channel – design

IMPORTANT: Always make the channels as short as possible.

NOTE: If a drying cabinet is installed in an old ventilation channel, please clean the channel properly.

In order to make the cabinet work properly, the incoming air-flow must be enough. The amount of evacuated air per hour is depending on how high the pressure fall in the ventilation channel is.

Material, the design and the length of the channel have a large impact on the air flow. In order to get the best possible performance, the pressure fall shall be as low as possible.

When the air is transported through the channel, it is exposed to different kind of resistance. Factors that give a low pressure fall:

- Smooth inner walls on the pipe
- Large diameter on the pipe
- Short length on the pipe
- Few curves
- Few angels (90 degrees)

Evacuated amount of air and pressure fall

In order to get FC 20 to work properly, the ventilation channel shall be designed to get an out coming air flow from the cabinet of about 300 m³/h. When the cabinet is installed to an existing channel system, the cabinet can be calibrated to optimize the air flow.

In order to gain this air flow, the pressure fall must not exceed 210 Pa. By an airflow of 300 m³/h and a diameter of the pipe of 160 mm, this corresponds to a straight, smooth ventilation channel of 140 m.

Pressure fall estimation

The counter pressure in the ventilation channel can be measured with a pressure meter. The measuring point shall be placed by the cabinets evacuating outlet.

In order to estimate the pressure fall without meter equipment we recommend the following:

- Identify the ventilation channel's incoming components in the air flow direction.
- Check the part pressure fall for each component in the table.
- Calculate the total amount of pressure fall by adding each parts pressure fall.

The table shows the most common components in a ventilation system. The information shall be considered as approximate data. For more information, contact the manufacturer of the parts of the system. Please note that the data in the table is for an air flow of 300 m³/h.

Component		Pressure fall	
Circular channel	∅, mm	Pa/m	
	125	4,5	
	160	1,5	
Pipe bends 90°	∅, mm	r, mm	Pa/bend
	125	125	10
	160	160	4
Reduction	Transition, mm		Pa/reduction
	125 to 160		4
	160 to 125		17

Example: 10 m long 160 mm channel with 3 pipe curves which gives an estimated pressure fall of $(10 \times 1,5) + (3 \times 4) = 27$ Pa.

Decrease the outgoing air flow

The cabinets function and automatic programs are optimized for the recommended air flow of 300 m³/h. If the design of the ventilation is made so that evacuated air flow exceeds 300 m³/h, the evacuation can be throttled with help of a damper. Contact a ventilation expert in order to find a proper solution for your ventilation.

User manual

Fill the cabinet

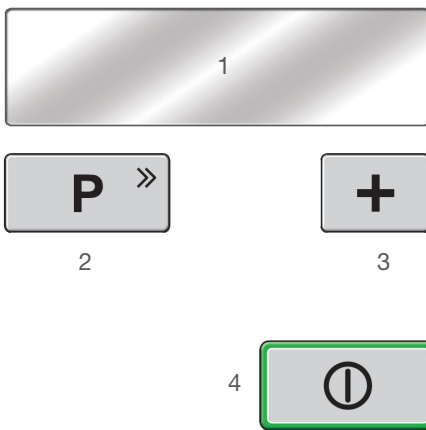
To get the best drying result: try to dry the same type of fire-fighting suits at the same time. Distribute the clothing evenly in the cabinet. If less than six suits are dried, remove the hangers not used. The dampers are closed automatically.

Close the doors

The drying cabinet will not start until the doors are completely closed.

Keypad

1. Display
2. Program select*
3. Increase time
4. Start/stop



* Fast forward during drying.

Select program

Change program by pushing program select (button 2). The symbol of the chosen program is highlighted and the program name is showed on the screen. Read more about the different programs below.

Start program

Push start/stop button (button 4) in order to start the drying cabinet.

Pause program

To pause a working program, open the doors. Close the doors and push the start button to continue drying.

Cancel program

To cancel a working program push the start-/stop button.

Cool down

All programs, both timed and automatic, have a cool down phase of 15 minutes. During cool down the textiles are reconditioned and the drying cabinet is cooled down.

Automatic programs

The drying cabinet is equipped with the function HTS – Humidity Tracking System. This function is activated in the automatic program mode. The drying time adjusts to the laundry in the cabinet and is controlled by a humidity sensor.

To choose automatic program mode

Choose automatic program mode by pushing button 2. The cabinet has three different programs:

- 1 MEMBRANE**
Fire fighting suits with membrane fabric. Reactivation of impregnation at the end of the program.
- 2 WITHOUT MEMBRANE**
Fire fighting suits without membrane fabric e.g. suits with wadding. Reactivation of impregnation at the end of the program.
- 3 STATIONWEAR**
Station and sportswear e.g. t-shirts, sweatshirts and pants.

Reactivation of impregnation

The programs Membrane and Without membrane have a unique function. By the end of the drying cycle the cabinets goes into reactivation mode. During 30 minutes the evacuation of air is stopped and the temperature is maximized. This hardens the impregnation of the suits.

Select drying time manually

- TIMED DRYING**
The cabinet has a timed drying program for the user who prefers to set the time manually.

Set the time

The default drying time when entering Timed drying program is 0:15h. Increase the drying time with the plus button. The drying time can be increased to a maximum of 5:00h.

CAUTION

If a program is interrupted before the cool down has finished, the ceiling of the cabinet could be very hot.

Maintenance

Take good care of the cabinet

Only use a damp cloth with a mild detergent when cleaning the cabinet.

Never use solvent to clean the display.

Ventilation system

Loosen the ventilation pipe on the cabinet every year and clean if necessary around the evacuating channel.

IMPORTANT: Always switch off the electricity before starting to work with the cabinet.

Inspect with set intervals the complete ventilation channel; don't forget the outer wall. There can easily be leaves and other rubbish that chokes.

We recommend that you once a year, take down the service doors and vacuum clean around the fans and elements.

Keep your cabinet efficient and economical

- The ventilation channels shall be as short as possible.
- If possible, dry the same type of textiles at the same time.

Notes

SERVICE/SUPPORT

Phone +46 31 752 01 00

Fax +46 31 752 01 50

E-mail client@podab.com

www.podab.com



AB PODAB, Ekonomivägen 9, 436 33 Askim, SWEDEN
Tel +46 (0)31-752 01 00, Fax +46 (0) 31-752 01 50 E-post: sales@podab.se, www.podab.se

©PODAB 2013-06-25