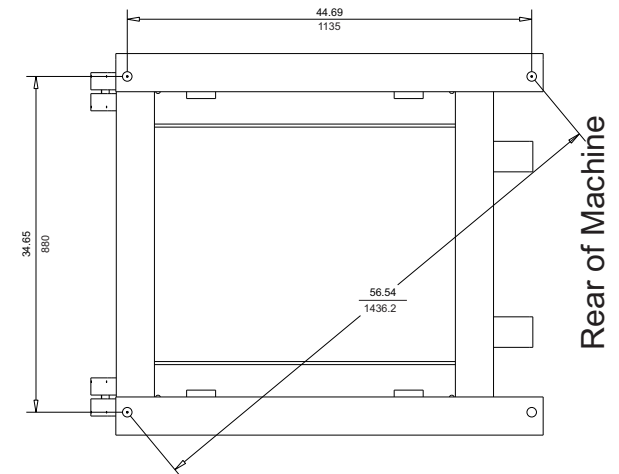
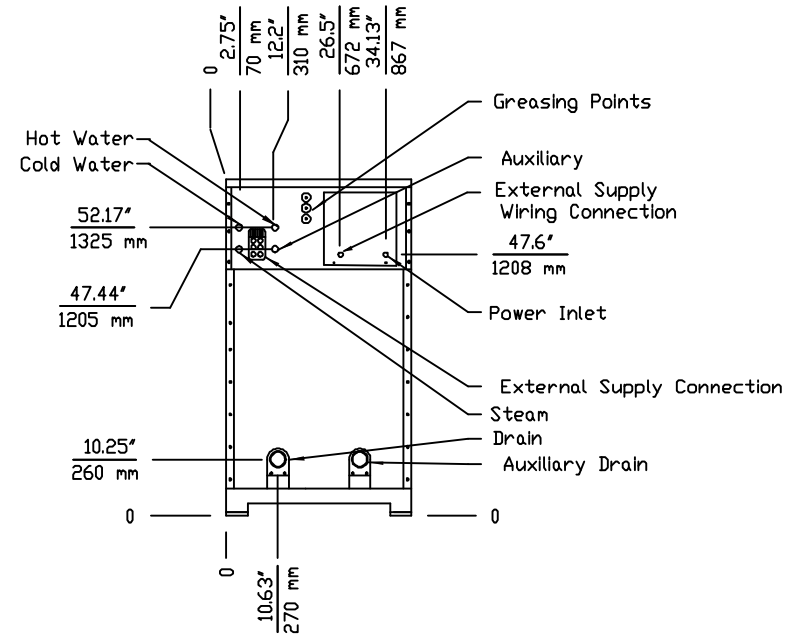
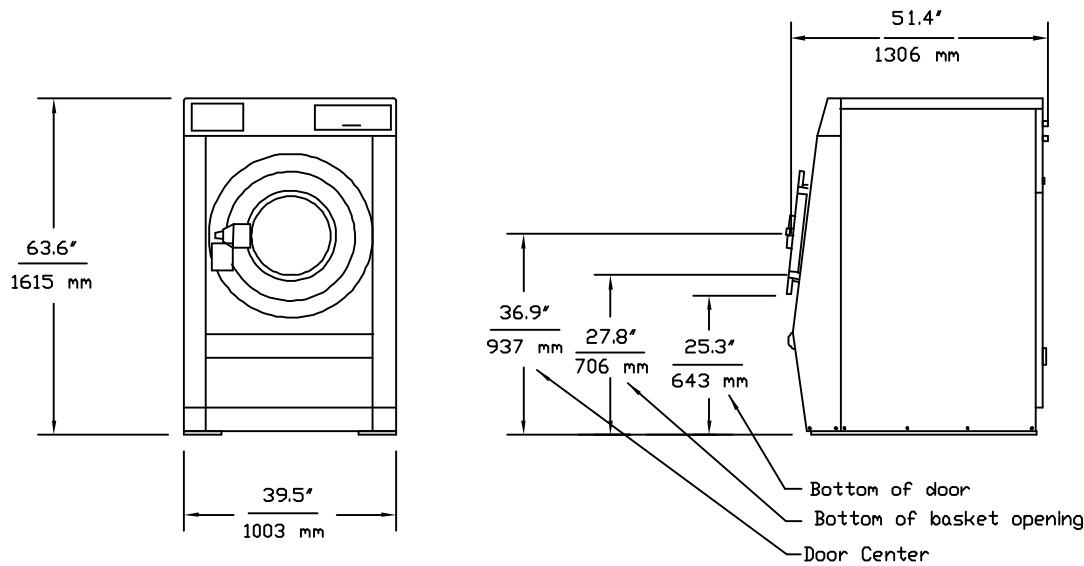


A



**MOUNTING BOLT DETAIL**

Actual machine footprint is:  
39-5/16" (1000mm) W x 47-1/16" (1195mm) D

**Electrical Requirements**

Voltage	Phase	System Wire	Wire Size	Amps	Breaker
208-240VAC, 50/60Hz, 1PH	1	2 + GND	14	15	20
208-240VAC, 50/60Hz, 3PH	3	3 + GND	14	9	15
380-460VAC, 50/60Hz, 3PH	3	3 + GND	14	4	15
208-240VAC, 50/60Hz, 3PH Elec. Heat	3	3 + GND	4	53	60
380-460VAC, 50/60Hz, 3PH Elec. Heat	3	3 + GND	10	27	30

**Drain Requirements**

Connection Size		Discharge Rate		Min Sewer Line	
inches	mm	gal/min	liters/min	inches	mm
3	76	62	235	4	102

**Water Requirements**

Water				Flow Rate (@45PSI/3Bar)		Minimum Supply Line Size		Max Operating Pressure			
Connection Size	Line Pressure	Max Temp		gal/min	liter/min	US	Metric	US	Metric		
US	Metric	PSI	Bar	F	C						
3/4"	DN 19	30-75	2-5	200	93	11	40	1	DN 25	125 PSI	8 Bar

**Steam Requirements**

Steam				Minimum Supply Line Size		Max Operating Pressure	
Connection Size	Line Pressure		Line Size		Pressure		
US	Metric	PSI	Bar	US	Metric	US	Metric
1/2"	DN 12	30-75	2-5	1/2"	DN 12	100 PSI	6 Bar

**Dynamic Load Specifications**


Static floor load		Static pressure		Total Dynamic Load		Dynamic pressure		Dynamic Frequency	
kN	lbs	kN/m2	lbs/ft2	kN	lbs	kN/m2	lbs/ft2	Hz	
8.9	2001	6.8	142	4.7	1048	3.6	74	14.83	

**Shipping Data**

Type	lbs	kg	cu ft	cu m
Domestic	1435	652	74.5	2.1
Export	1567	712	74.5	2.1

**Energy Star® Information**

Machine	Gas Water Heater		Electric Water Heater		WF (low)	WF (high)
	MEF (low)	MEF (high)	MEF (low)	MEF (high)		
SP-75	9.4	11.3	8.3	8.9	4.00	13.64

REV A5	BY AFA	DATE 11-16-2023	REV. DESCRIPTION Added Energy Star® Info
DRAWN BY A. Adcock		DATE 9-30-2013	 Panama City, FL Phone: 850-249-2222 Fax: 850-249-2226 www.bandctech.com
CHECKED BY C. Oswald		DATE 9-30-2013	
DESCRIPTION General Technical Specifications <b>SP-75</b>			
DATE 9-30-2013	FILE NAME SP-75GenSpec.cdr	SHEET 1 OF 1	