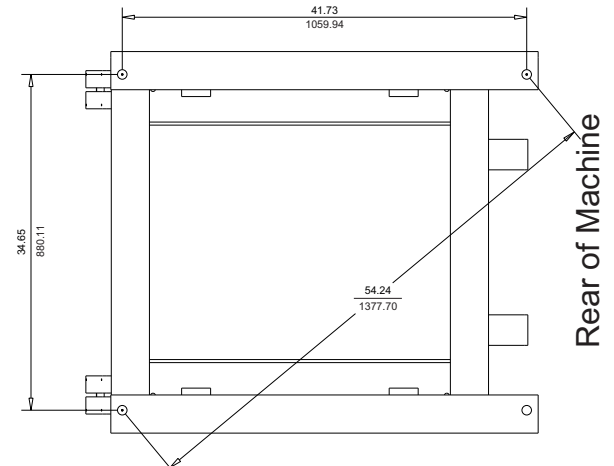
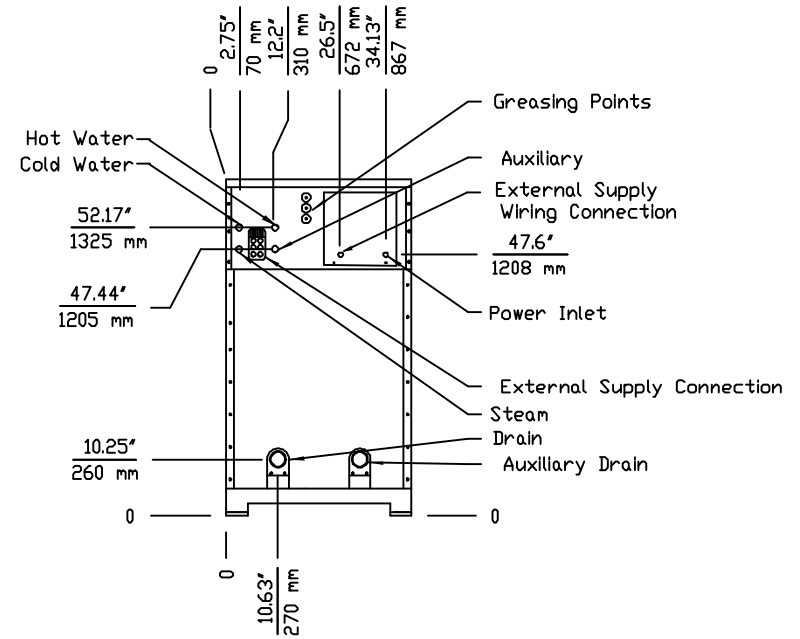
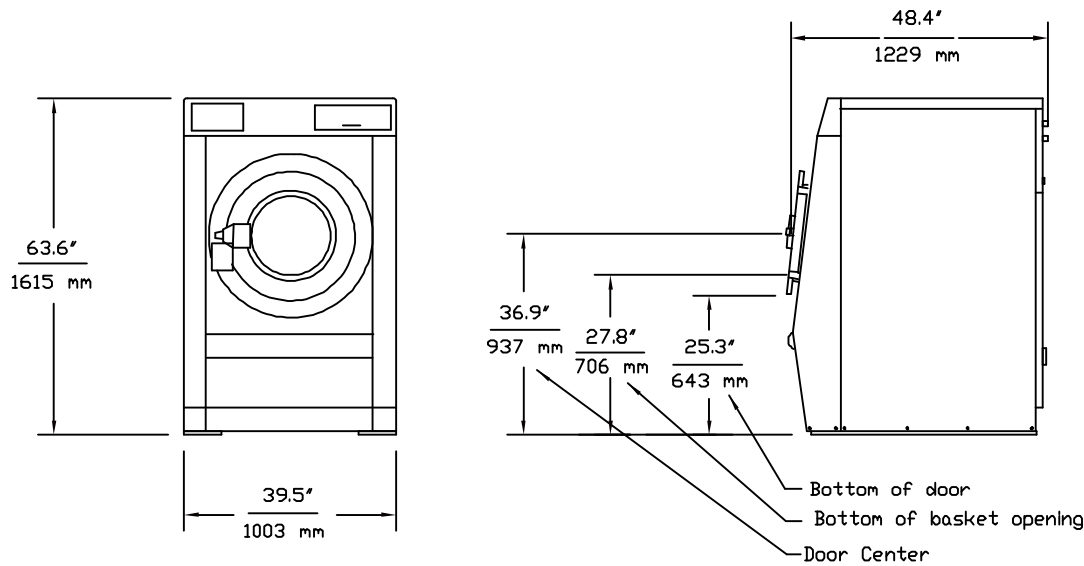


A



Electrical Requirements

Voltage	Phase	System Wire	Wire Size	Amps	Breaker
208-240VAC, 50/60Hz, 1PH	1	2 + GND	14	14	15
208-240VAC, 50/60Hz, 3PH	3	3 + GND	14	8	15
380-460VAC, 50/60Hz, 3PH	3	3 + GND	14	4	15
208-240VAC, 50/60Hz, 3PH Elec. Heat	3	3 + GND	4	52	60
380-460VAC, 50/60Hz, 3PH Elec. Heat	3	3 + GND	10	26	30

Drain Requirements

Connection Size		Discharge Rate		Min Sewer Line	
inches	mm	gal/min	liters/min	inches	mm
3	76	62	235	4	102

Water Requirements

Water				Flow Rate (@45PSI/3Bar)		Minimum Supply Line Size		Max Operating Pressure			
Connection Size		Line Pressure		Max Temp							
US	Metric	PSI	Bar	F	C	gal/min	liter/min	US	Metric		
3/4"	DN 19	30-75	2-5	200	93	11	40	1	DN 25	125 PSI	8 Bar

Steam Requirements

Steam				Minimum Supply Line Size		Max Operating Pressure	
Connection Size		Line Pressure		Line Size		Pressure	
US	Metric	PSI	Bar	US	Metric	US	Metric
1/2"	DN 12	30-75	2-5	1/2"	DN 12	100 PSI	6 Bar

Dynamic Load Specifications

Static floor load		Static pressure		Total Dynamic Load		Dynamic pressure		Dynamic Frequency
kN	lbs	kN/m2	lbs/ft2	kN	lbs	kN/m2	lbs/ft2	Hz
8.41	1890	6.8	142	4	909	3.3	68	14.83

Shipping Data

Type	lbs	kg	cu ft	cu m
Domestic	1452	660	73.3	2.1
Export	1584	720	73.3	2.1


Energy Star® Information

Machine	Gas Water Heater		Electric Water Heater		WF (low)	WF (high)
	MEF (low)	MEF (high)	MEF (low)	MEF (high)		
SP-65	8.4	10.1	7.4	8.0	3.92	13.40

MOUNTING BOLT DETAIL

Actual machine footprint is:
39-5/16" (1000mm) W x 44-1/16" (1120mm) D

REV	BY	DATE	REV. DESCRIPTION
A2	AFA	11-16-2023	Added Energy Star® Info

DRAWN BY A. Adcock	DATE 9-30-2013		Panama City, FL Phone: 850-249-2222 Fax: 850-249-2226 www.bandctech.com
CHECKED BY C. Oswald	DATE 9-30-2013		

DESCRIPTION	
General Technical Specifications	
SP-65	

DATE 9-30-2013	FILE NAME SP-65GenSpec.cdr	SHEET 1 OF 1
-------------------	-------------------------------	-----------------