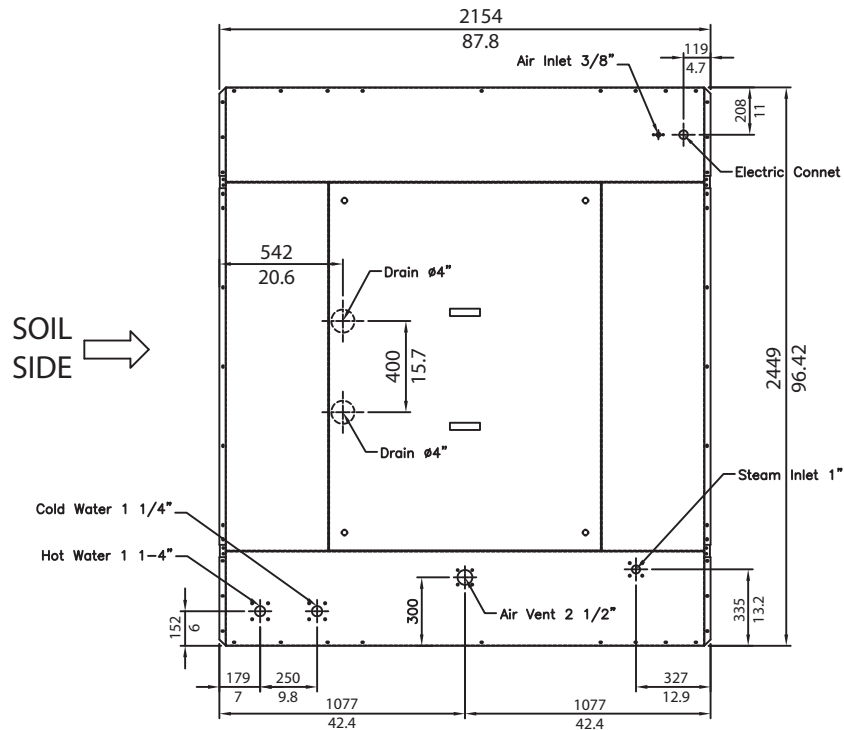
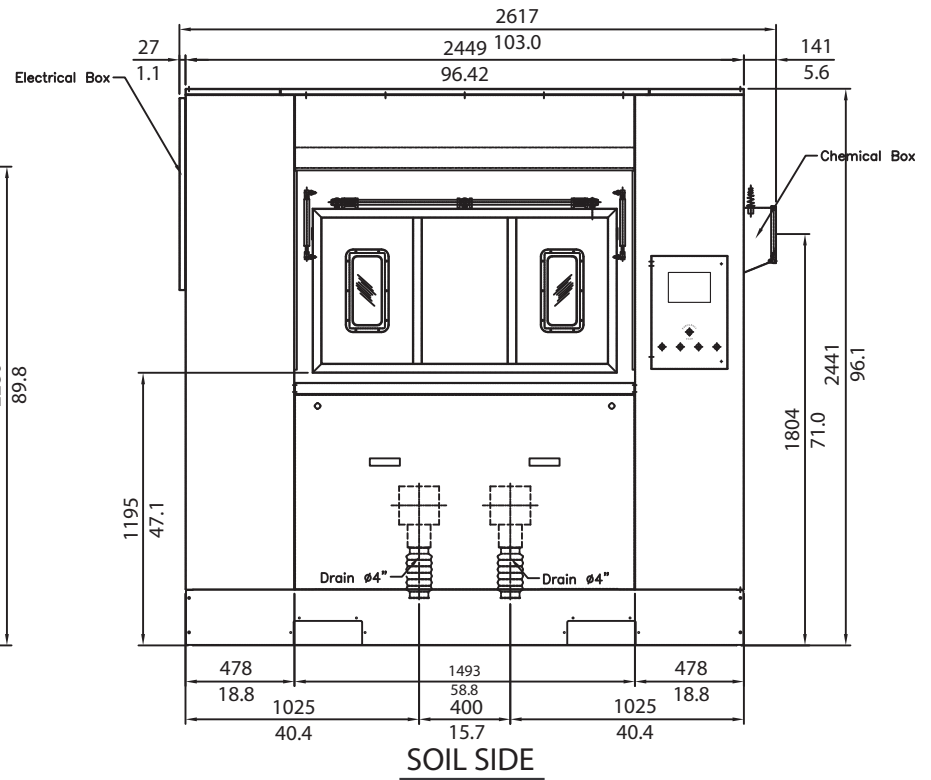
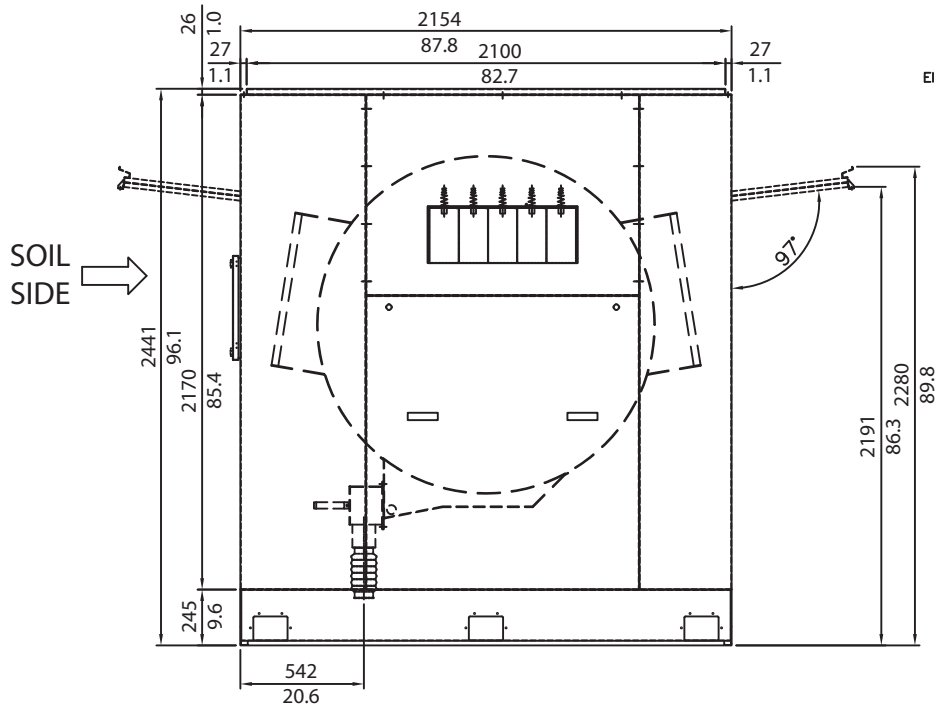


A



REV	BY	DATE	REV. DESCRIPTION
A2	AFA	2-6-2013	Updated Dimensions
DRAWN BY		DATE	 B&C Technologies Panama City, FL Phone: 850-249-2222 Fax: 850-249-2226 www.bandctech.com
A. Adcock		5-29-2009	
CHECKED BY		DATE	
C. Oswald		5-29-2009	
DESCRIPTION			
General Technical Specifications SB-485 Barrier Washer-Extractor			
DATE	FILE NAME	SHEET	
5-29-2009	SB-485 General Spec.pdf	1 OF 1	